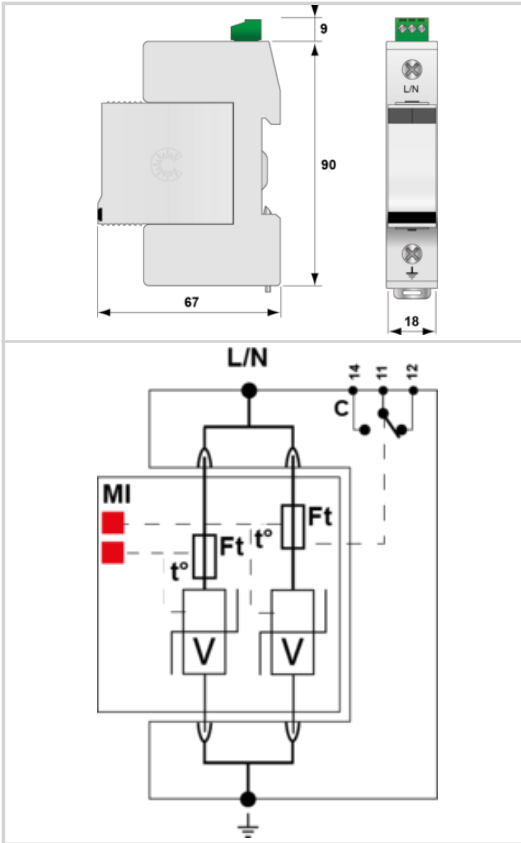


DS71US-420



- Multi-MOV Technology
- UL1449 Type 1 LISTED
- 75kA Surge Current Rating per module
- Visual fault indicator and remote contacts
- 10-Year warranty



Electrical Characteristics		
POWER SPD TYPE		UL1449 TYPE 1 LISTED
VOLTS	(V)	277
AC/DC/DC PV/RF		AC
PHASE	(PH)	1
AMPS	(A)	n/a
AMBIENT MIN	(C)	-40
AMBIENT MAX	(C)	+85
MODES		L-G
VPR	(V)	1500
MCOV	(V)	420
IN15 impulses 8/20µs	(kA)	20
SCCR	(kA)	200
IMAX8/20µs	(kA)	75
RELATIVE HUMIDITY	(%)	95%
Mechanical Characteristics		
TECHNOLOGY		Multi-MOV
NETWORK CONFIGURATION		2 wires
CONNECTION METHOD		Screw Terminal (4-14AWG)
MOUNTING		DIN RAIL
MATERIAL		Thermoplastic UL94-V0
NEMA RATING (IP RATING)		NEMA 2 (IP20)
FAIL-SAFE BEHAVIOR		Yes, no upstream over current protection required
REAL-TIME DIAGNOSTICS		Visual indicator and remote contacts
DIMENSIONS		See diagram (mm)
WEIGHT		0.29 lbs
Standards		
UL STANDARD		UL1449 5th Edition
UL CATEGORY		VZCA, VZCA7
UL FILE NUMBER		E326289
STANDARDS		NOM-003-SCFI-2014, NOM-001-SCFI-1993
ENVIRONMENTAL STANDARDS		ROHS
Part number		
32141155		